

BB-17

CEILING SUSPENDED SINGLE HUNG MAST FORWARD FOLDING- REAR BRACED BACKSTOP 5486 mm (18') TO 15240 mm (50') BB-17A and BB-17B Specifications

MAST

- The mast shall be constructed of 168 mm (6-5/8") O.D. X 3.4 mm (.134") wall (10 GA.) @ 4.213 Kg's (9.289 lbs)/ft. E.R.W. (Electric Resistance Welded) tubing with a custom length. A 102 mm (4") channel @ 2.45 Kg's (5.4 lbs)/ft. shall be part of the constructed mast frame which is welded to the 168 mm (6-5/8") O.D. tubing c/w side braces for lateral support.
- Diagonal Side Sway Braces constructed of HSS Section tubing of 3 mm (1/8") wall, 50.8 mm (2") square custom length in a "L" shape are welded to the mast channel and 168 mm (6-5/8") O.D. tubing. ASTM-G40.17 GRADE 50, or A-500 TYPE B material shall be used for the side braces. Forces are transformed laterally into anti-sway braces which are welded to the mast boom and cross channel.

BRACE

- Backstop shall be braced to the rear and folds up to the front. The telescopic back brace shall be constructed of a male tube 50.8 mm (2") O.D. x 2.1 mm (.083") wall ERW and the female tube 44 mm (1-3/4") O.D. x 2.1 mm (.083") wall E.R.W. that fits inside each other. A simple back brace stop locks the bracing in position for play, and is disengaged automatically by the movement of raising the backstop to its stored position in a forward motion.

SUPPORT

- The backstop shall be supported by 89 mm (3-1/2") O.D. pipe and securely anchored to roof framing members by specially designed and tested beam clamps. Each beam clamp can support a static load of 4132 Kg (9110 lb.) force. All 89 mm (3-1/2") O.D. pipes exceeding 4267 mm (14'-0") in length shall be reinforced with special bridge trussing.

GOAL

- The goal shall be directly mounted through the bank and into heavy duty structural steel weldments that are clamped to the vertical main mast 168 mm (6-5/8") O.D. This eliminates any strain on the bank should a player hang on the front of a mounted goal.

OPERATION

- The main mast shall be suspended from two (2) custom adjustable hangers. Offsets in the position of the hinges places the center of gravity forward of the hinged point to ensure that the unit locks into playing position. A hoist cable shall be 6.35mm (1/4" \varnothing), ASTM-475 STD. 7 strands / 19 wires galvanized with a breaking strength of 3175 Kg (7000 lbs.) Electric (**TW-2000**) or manual operated winch (**TW-700**) is designed to raise and lower the (**BB-17**) basketball unit. Where required swivel style pulleys shall be used, with steel sheaves and maintenance free oil impregnated bushings to route the hoisting cable to the winch.

FINISH

- All metal parts shall be painted with one (1) coat of black, white or royal blue semi-gloss rust-inhibitive enamel. Custom colors are available upon request at an extra cost.

WARRANTY

- There is a limited Warranty of two (2) years on all basketball equipment.

OPTIONS AND ACCESSORIES

Height Adjustable Frame – (BB-3)

Boards

- Steel Fan-Shaped (BB-22)
- Steel Fan-Shaped (BB-22B)
- Aluminum Fan-Shaped (BB-23)
- Glass Fan-Shaped (BB-28)
- Rectangular Steel (BB-25RSB)
- Rectangular Glass (BB-29RG)
- Rectangular Glass (BB-29RGI)
- Rectangular Glass (BB-29RGII)
- Rectangular Glass (BB-29 RGIII)

Goals

- Rear Mounted (BB-30)
- Rear Mounted (BB-30-S)
- Front Mounted (BB-31)
- Front Mounted (BB-31-S)
- Front Mounted (BB-31SC)
- Front Mounted (BB-33A/B)
- Front Mounted (BB-34A)
- Front Mounted (BB-34B)
- Titan (BB-36)
- Titan (BB-36C)
- Anti-Whip Net (BB-41)
- Anti Whip Pro Net (BB-42)
- Steel Chain Net (BB-43)
- Rear Mounted (BB-66)

Cushion Edging

- Backboard Padding BB-47 NCE (Gray)
- Backboard Padding BB-44A (Awareness Pink, Columbia Blue, Royal Blue, Navy Blue, Kelley Green, Forest Green, Red, Maroon, Burgundy, Purple, Yellow, Orange, Gold, Brown, Gray, Black)
- Backboard Padding BB-45 (Gray)
- Backboard Padding BB-46CE (Gray)

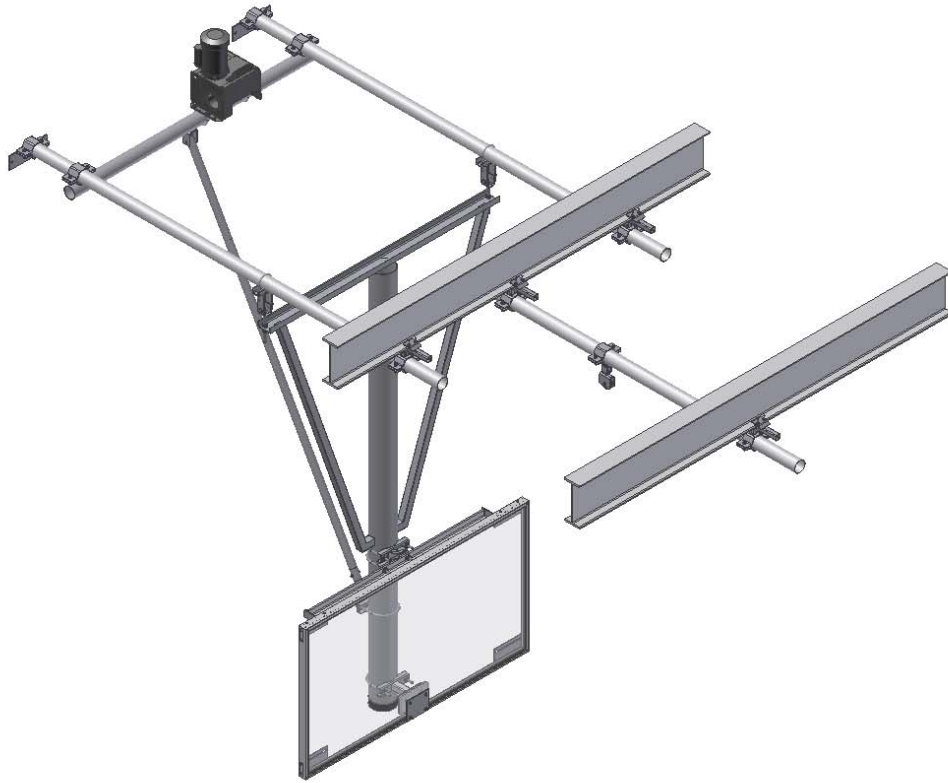
Safety Belt

- Posilok (BB-49)

Winches

- Manual (TW-700)
- Electric (TW-2000)

Revised June 8, 2015 subject to changes in design and manufacture.



Revised June 8, 2015 subject to changes in design and manufacture.